



Key Features

- Provides ergonomic and responsive control of FLIR marine cameras while underway
- The 2.9" color LCD and keypad simplify camera operation and offer easy access to the joystick setup configuration menus
- Rugged, low profile 3-axis joystick for precision camera control in all conditions
- Dimmable LCD and back lit keypad preserve vision during nighttime operations
- 3 custom keys for user-defined camera functions

Applications

- Marine law enforcement professionals who require rugged and intuitive camera control
- Recreational and commercial marine captains who actively navigate with thermal
- FLIR M100, M200, M300, M400, M500 Series cameras, as well as many legacy FLIR camera models

SPECIFICATIONS

Display	
LCD	2.9" color
LCD Type	IPS TFT LCD
Brightness	600 nits
Viewing angles	80 + / 80 +
Resolution	376 (H) x 960 (W) pixels (RGB)
Contrast Ratio	1:1500
Networking	
Network Ports	1x 10/100/1000 Mbps/s Ethernet 1x 10/100/1000 Mbps/s PoE-In Ethernet
Network connector type	RayNet
Power	
PoE class	Class 2
Nominal supply voltage	PoE: 48 V dc Alternate power: 12 V / 24 V dc
Operating supply voltage	PoE: 44 V to 57 V dc Alternate power: 8 V to 32 V dc
Power consumption	5 W Max with full keypad illumination
Environmental	
Operating temperature	-25 °C to +55 °C (-13 °F to 131 °F)
Storage temperature	-30 °C to +70 °C (-22 °F to 158 °F)
Relative humidity	Maximum 93% @ + 40 °C (104 °F)
Waterproof rating	IPx6



Pair the JCU-4 with a marine monitor and camera for a complete camera viewing and control solution



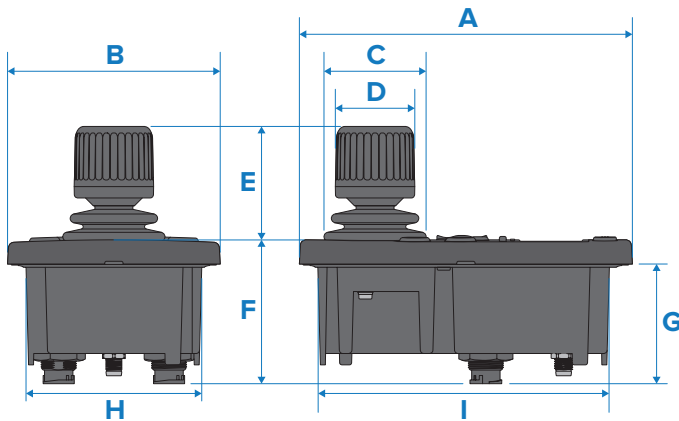
For more information and to find your local support number, visit:
FLIR.com/contactsupport
www.FLIR.com

This product is subject to United States export regulations and may require US authorization prior to export, reexport, or transfer to non-US persons or parties. Diversion contrary to US law is prohibited. Specifications are subject to change without notice. For the most up-to-date specs, go to www.flir.com

©2025 Teledyne FLIR, LLC. All rights reserved.

Revised 02/25/25
 JCU-4-Datasheet

Conformance	
Ethernet/PoE	IEEE 802.3 IEEE 802.3af (PoE)
EMC	EN60945
Warranty and Service	
Warranty	2 Years plus a 3rd year with product registration
Support	maritime-support.flir.com
Ordering	
Part No.	E70695



Dimensions			
A	146.66 mm (5.77 in)	F	63.36 mm (2.49 in)
B	93.66 mm (3.69 in)	G	52.71 mm (2.08 in)
C	44.99 mm (1.97 in)	H	77.39 mm (3.05 in)
D	35.00 mm (1.38 in)	I	128.39 mm (5.05 in)
E	49.94 mm (1.97 in)		

Box Contents	
1	1x JCU-4 (includes 4x screws and 4x mounting plates pre-fitted).
2	1x Front cover.
3	1x Weather cover.
4	1x Documentation pack.
5	1x Right-angled RayNet (Ethernet) to RJ45 adapter cable, 3 m (9.84 ft).
6	1x Right-angled 3-pin power cable, 3 m (9.84 ft).



JCU-4 Controls	
1	Power
2	Park
3	Menu
4	LCD
5	Back
6	Color Palette
7	Contrast
8	Joystick for pan, tilt and zoom
9	Acquire target
10	Payload Switcher
11	Navigation Pad
12	Return to Home
13	Select
14	User programmable keys